

Non-Metallic Models

The ARO® EXP Series of non-metallic pumps consists of polypropylene, acetal and PVDF. All ARO® pumps are available with convoluted diaphragms offering long-lasting life and reduced maintenance.

Non-Metallic Model Overview

All 1/4" - 3" Non-metallic PD pumps are now upgradeable!

PD pumps are manufactured such that solenoid operation, flow monitoring and leak detection functionality can be added at a later date. As your processes mature, this capability allows you to enhance manually operated processes to incorporate additional control and monitoring capabilities. Simply remove two plugs and replace with a proximity sensor and (or) leak detector. Once upgraded, these components can also be integrated with the ARO® controller for seamless integration.

UPGRADE
PUMP FOR REMOTE
ACTUATION CAPABILITY



| Models | 1/4" | 3/8" | 1/2" | 1/2" Classic | 3/4" | 1" | 1-1/2" | 2" | 3" |
|---|---|--|--|--|--|---|---|--|---|
| Max.Flow gpm (lpm) | 5.3 (20) | 10.6 (40.1) | 14.4 (54.5) | 13 (49.2) | 14.8 (56) | 53 (200) | 123 (465) | 184 (696) | 285 (1079) |
| Maximum Discharge Pressure psi (bar) | 125 (8.6) | 100 (6.8) | 100 (6.8) | 100 (6.9) | 100 (6.8) | 120 (8.3) | 120 (8.3) | 120 (8.3) | 120 (8.3) |
| Fluid Ports Inlet/Outlet (bsp) | Q-1/4-1/8 PTF SAE SHORT | 3/8" (F) - In/Out | 1/2" (F) - In/Out | 1/2-14 N.P.T.F.-1 | 3/4 - 14 N.P.T.F.-1 Rp 3/4(3/4-14 BSP, parallel) | 1" ANSI/DIN Flange (Side or Center) 1 - 11-1/2" NPT Rp 1(1-11 BSP) (Center Discharge) | 1-1/2" ANSI/DIN Flange (Side or Center) | 2" ANSI/DIN Flange (Side Discharge) | 3" ANSI (4-hole) or Din (8-hole) Flange |
| Material of Construction | Poly- propylene- Groundable Acetal PVDF | Poly- propylene Groundable Acetal PVDF | Poly- propylene Groundable Acetal PVDF | Poly- propylene Groundable Acetal PVDF | Poly- propylene | Polypropylene PVDF Conductive Polypropylene Conductive PVDF | Poly- propylene PVDF Conductive Poly- propylene | Polypropylene PVDF Conductive Polypropylene Conductive PVDF | Poly- propylene PVDF |
| Pump Weight lbs (kg) | Poly 2.86 (1.3) PVDF 3.88 (1.76) Acetal 3.52 (1.6) | PD03P-XDS-X 4.2 (1.9) PD03P-XES-X 4.3 (1.9) PD03P-XKS-X 4.5 (2.0) PD03P-XLS-X 4.6 (2.1) PD03P-XPS-X 3.4 (1.6) PD03P-XRS-X 3.5 (1.6) | PD05P-XDS-X-B 6.3 (2.9) PD05P-XES-X-B 6.7 (3.0) PD05P-XKS-X-B 6.8 (3.1) PD05P-XLS-X-B 7.2 (3.3) PD05P-XPS-X-B 5.2 (2.4) PD05P-XRS-X-B 5.4 (2.5) | 7.2 (3.3) Polypropylene 8.8 (4.0) Ground. Acetal 9.5 (4.3) Kynar PVDF | 5.61 (2.54) | 19.35 (8.78) Poly Threaded 19.59 (8.89) Poly Center Port 19.87 (9.01) Poly Side Port 25.83 (11.72) PVDF Threaded 26.72 (12.12) PVDF Center Port 27.15 (12.32) PVDF Side Port | 42.30 (19.19) Poly Center Port 42.60 (19.32) Poly Side Port 55.94 (25.37) PVDF Center Port 63.94 (29.0) PVDF Side Port | 85.3 (38.7) Poly 110.9 (50.3) PVDF | 170 (77.11) Poly 242 (109.77) PVDF |
| Max. Solids in (mm) | 1/16 (1.6) | 1/16 (1.6) | 3/32 (2.4) | 3/32 (2.4) | 3/32 (2.4) | 1/8 (3.2) | 1/4 (6.4) | 1/4 (6.4) | 3/8 (9.5) |
| Max. Dry Suction Lift ft (m) | 15 (4.6) | 9.25 (2.8) | 15 (4.5) | 15 (4.5) | 15 (4.5) | 19 (5.7) | 14 (4.2) | 14 (4.2) | 20.5 (6.3) |
| Recommended Filter/ Regulator | P39124-620 | P39124-600 | P39124-600 | P39124-624 | P39124-600 | P39224-600 | P39334-600 | P39454-610 | P39454-614 |
| Airline Kit | 66073-1 | 66073-1 | 66073-1 | 66073-1 | 66073-1 | 66073-2 | 66084-1 | 66109 | 66109 |

Compact Series Diaphragm Pumps

EXP Series Diaphragm Pumps

1/4" Non-Metallic Models

COMPACT SERIES PUMPS

Part of our Compact Series of pumps, our 1/4" pumps feature big performance in a compact package. They feature flow rates up to 5.3 GPM (20 LPM), a wide range of material options, multi-port versions and the unique hybrid male/female threaded fluid connections.

UPGRADE
PUMP FOR REMOTE
ACTUATION CAPABILITY

| | |
|-------------------------------------|--|
| Ratio: | 1:1 |
| Maximum Flow: | 5.3 g.p.m. (20) l.p.m. |
| Displacement per cycle: | 0.019 Gallons (0.072 Liters) |
| Air Inlet (Female): | 1/4 - 18 PTF SAE Short |
| Fluid Inlet/Outlet Hybrid: | Internal Thread 1/4"NPTF/BSPT External Thread 3/4" - 14 NPTF/BSPT |
| Max. operating pressure psi (bar): | 125 (8.6) |
| Suspended solids max. dia. in.(mm): | 1/16" (1.66) |
| Weight lbs (kg): | 2.86 (1.3) Polypropylene 3.88 (1.76) PVDF 3.52 (1.60) Acetal |
| Maximum dry suction lift ft(m) : | 15 (4.6) |
| Sound Level: | 70 PSI 60 Cycles/Min 62.3 db(A) |
| Muffler: | Integral, Included |



PD01P-HPS-PCC-A

Ordering

| Position | 1 | 2 | | 3 | 4 | 5 | | 6 | 7 | 8 | | 9 | 10 | 11 |
|----------|-------|---|---|---|---|---|---|---|---|---|---|---|----|----|
| Example: | PX01P | X | - | H | X | S | - | X | X | X | - | A | X | X |

| Position 1 Model Series | Position 2 Center Section | Position 3 Fluid Connections | Position 4 Wetted Parts | Position 5 Hardware | Position 6 Seat Material | Position 7 Ball Material | Position 8 Diaphragm Material | Position 9 |
|--|---|------------------------------------|--|------------------------|---|---|---|--|
| PD01 - Standard Pump PE01 - Elec. Interface Accessible Pump | E - Conductive Polypropylene P - Polypropylene | H - 1/4" NPT BSP hybrid | D - Groundable Acetal* E - Groundable Acetal* (Multiple port) K - Kynar PVDF L - Kynar PVDF (Multiple port) P - Polypropylene R - Polypropylene (Multiple port) | S - Stainless Steel | D - Acetal K - PVDF P - Polypropylene 0 - Polypropylene (Flex-Check spacer)* 1 - Acetal (Flex-Check spacer)* 2 - PVDF (Flex-Check spacer)* | A - Santoprene® C - Hytrel® G - Nitrile J - Nitrile (Flex-Check only) K - EPR (Flex-Check only) L - Viton® (Flex-Check only) N - Neoprene (Flex-Check only) T - PTFE | A - Santoprene® C - Hytrel® G - Nitrile T - PTFE | Revision Level Position 10 & 11 Specialty Code Fluid control options for pump with electronic interface (PE03 model). See complete description on page 11 |

* Acceptable for use in hazardous locations. - NEC / CEC: Class I&II, Div 1&2, Group A-D
- ATEX: Zone 1&2, 21&22

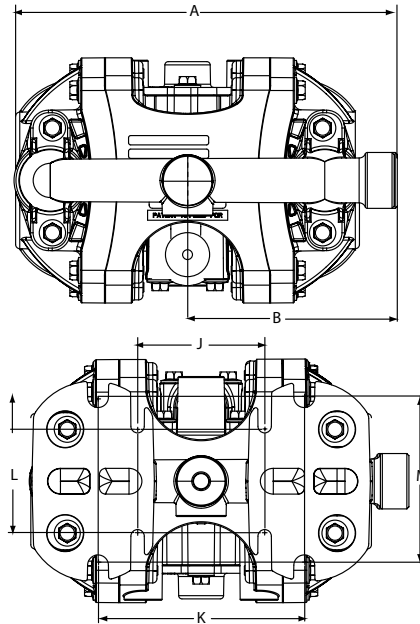
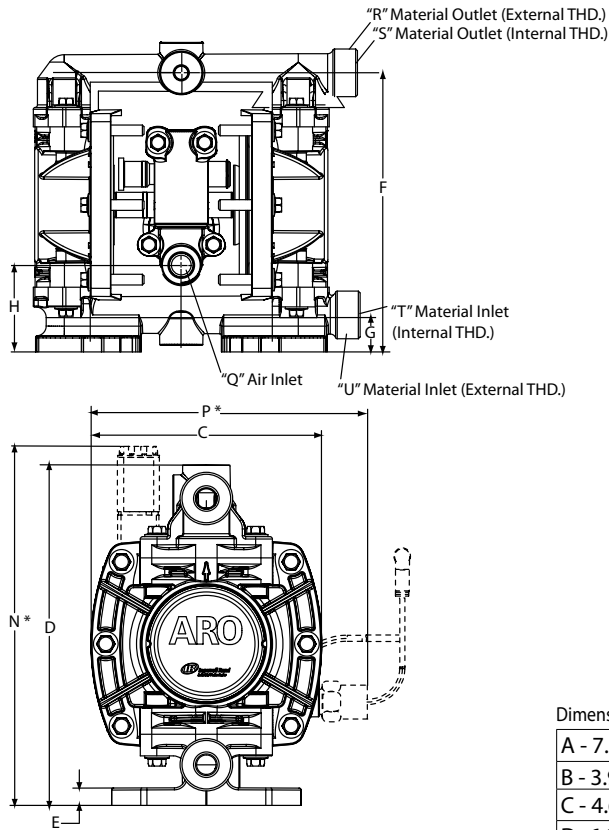
Hytrel® and Viton® are registered trademarks of the DuPont company. Santoprene® is a registered trademark of Monsanto Company, licensed to Advanced Elastomer Systems, L.P.

Accessories

Air Line Connection Kit | 66073-1

(Piggyback Filter/Regulator with gauge, pipe nipple and 5-foot air hose)

1/4" Non-Metallic Dimensions and Flow Charts

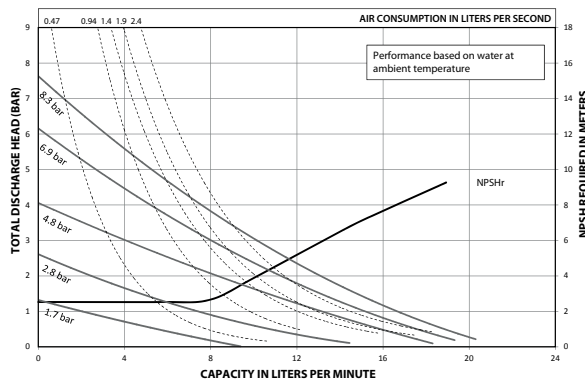
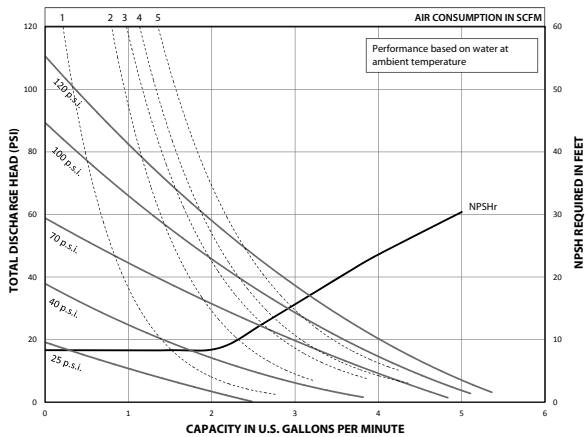


DIMENSIONS

Dimensions shown are for reference only, they are displayed in inches and millimeters (mm).

| | | |
|---------------------|---------------------|----------------------------|
| A - 7.2" (182 mm) | H - 1.9" (48.6 mm) | Q - 1/4 - 18 PTF SAE Short |
| B - 3.9" (100.0 mm) | J - 2.4" (61 mm) | R - 3/4-14 NPTF |
| C - 4.6" (117.0 mm) | K - 3.9" (99 mm) | S - 1/4 NPTF / BSPT Hybrid |
| D - 6.8" (173.0 mm) | L - 2.1" (53 mm) | T - 1/4 NPTF / BSPT Hybrid |
| E - 0.3" (8.8 mm) | M - 3.2" (81 mm) | U - 3/4-14 NPTF |
| F - 6.1" (156 mm) | N - 7.2" (184 mm) | V - 1/4 NPTF |
| G - 0.8" (20.7 mm) | P - 5.6" (142.2 mm) | |

PD01P-XXS-XXX 1/4" NON-METALLIC DIAPHRAGM PUMP



Ordering Position 10

Specialty Code 1 (Blank if no Specialty Code)

- | | |
|---------------------|--|
| A - Solenoid 120VAC | G - Solenoid 12VDC ATEX/IECex* |
| B - Solenoid 12VDC | H - Solenoid 24VDC ATEX/IECex* |
| C - Solenoid 240VAC | J - 120VAC NEC/CEC* |
| D - Solenoid 24VDC | K - Solenoid 220VAC ATEX/IECex* |
| E - 12VDC NEC/CEC* | N - Solenoid with no coil |
| F - 24VDC NEC/CEC* | O - Standard Valve Block (No Solenoid) |

Ordering Position 11

Specialty Code 2 (Blank if no Specialty Code)

- | | |
|--|--|
| E - End of stroke feedback + Leak Detection | L - Leak Detection |
| F - End of stroke feedback | M - Leak Detection ATEX/IECex/NEC/CEC* |
| G - End of Stroke ATEX/IECex* | O - No Option |
| H - End of Stroke/Leak Detection ATEX/IECex* | R - End of Stroke Feedback NEC / CEC* |
| | T - End of Stroke Feedback + Leak Detection NEC / CEC* |

* Acceptable for use in hazardous locations. - NEC / CEC: Class I&II, Div 1&2, Group A-D
- ATEX: Zone 1&2, 21&22

3/8" Non-Metallic Models

COMPACT SERIES PUMPS

Part of our Compact Series of pumps, our 3/8" pumps feature big performance in a small package. They feature flow rates up to 10.6 GPM (40.1 LPM) and a wide range of material and porting configurations.

UPGRADE
PUMP FOR REMOTE
ACTUATION CAPABILITY

Ratio: 1:1
 Maximum Flow: 10.6 g.p.m. (40.1 l.p.m.) 8.7 (32.9) Flex check
 Displacement per cycle: 0.022 Gallons (0.083-Liters) 0.018 (0.068) Flex check
 Air Inlet: (Female) 1/4 - 18 P.T.F. SAE Short
 Fluid Inlet/Outlet: 3/8 - 18 N.P.T.F. - 1
 Rp 3/8 (3/8 - 19 BSP, parallel)
 Max. operating pressure: 100 psi (6.9-bar)
 Suspended solids max. dia.: 1/16-in. (1.6-mm) Flex check (Fibers)
 Weight: lbs (kg)
 PD03P-XDS-XXX 4.2 (1.9)
 PD03P-XES-XXX 4.3 (1.9)
 PD03P-XKS-XXX 4.5 (2.0)
 PD03P-XLS-XXX 4.6 (2.1)
 PD03P-XPS-XXX 3.4 (1.6)
 PD03P-XRS-XXX 3.5 (1.6)
 Maximum dry suction lift: ft (m) 9.25 (2.8)
 Sound Level: 70 PSI 60 Cycles/Min 72.7 db(A)
 Muffler: Integral, Included



PD03P-APS-PCC



PD03P-ADS-DTT



Ordering

| Position | 1 | 2 | | 3 | 4 | 5 | | 6 | 7 | 8 | | 9 | 10 | 11 |
|----------|------|---|---|---|---|---|---|---|---|---|---|---|----|----|
| Example: | PX03 | P | - | X | X | S | - | X | X | X | - | B | X | X |

| Position 1 Model Series | Position 2 Center Section | Position 3 Connections | Position 4 Manifold Material | Position 5 Hardware | Position 6 Seat Material | Position 7 Ball Material | Position 8 Diaphragm Material | Position 9 |
|--|---------------------------------|------------------------------------|--|------------------------|--|---|---|--|
| D - Standard E - Remote Actuation Capable | P - Poly- propylene | A - 3/8" N.P.T. B - 3/8" BSP | D - Ground. Acetal (single port)* E - Ground. Acetal (multiple port)* K - PVDF (single port) L - PVDF (multiple port) P - Polypropylene (single port) R - Polypropylene (multiple port) | S - Stainless Steel | D - Acetal K - PVDF P - Poly- propylene S - Stainless Steel O - Flex Check | A - Santoprene® C - Hytrel® I - Nitrile N - Neoprene S - Stainless Steel T - PTFE V - Viton® | A - Santoprene® C - Hytrel® G - Nitrile T - PTFE/ Santoprene® V - Viton® * Flex check models | Revision Level Position 10 & 11 Specialty Code Fluid control options for pump with electronic interface (PE03 model). See com- plete description on page 13 |

* Acceptable for use in hazardous locations. - NEC / CEC: Class I&II, Div 1&2, Group A-D
- ATEX: Zone 1&2, 21&22

Hytrel® and Viton® are registered trademarks of the DuPont company. Santoprene® is a registered trademark of Monsanto Company, licensed to Advanced Elastomer Systems, L.P.

Accessories

Air Line Connection Kit | 66073-1

(Piggyback Filter/Regulator with gauge, pipe nipple and 5-foot air hose)

Cycle Counter Kit | 66975

Wall Mount Bracket Kit | 67388

Service Repair Kits | 637428 (air section)

637429-XX (fluid section)



Air Line Connection Kit
66073-1

Wall Mount Bracket Kit
67388

3/8" Non-Metallic Dimensions and Flow Charts



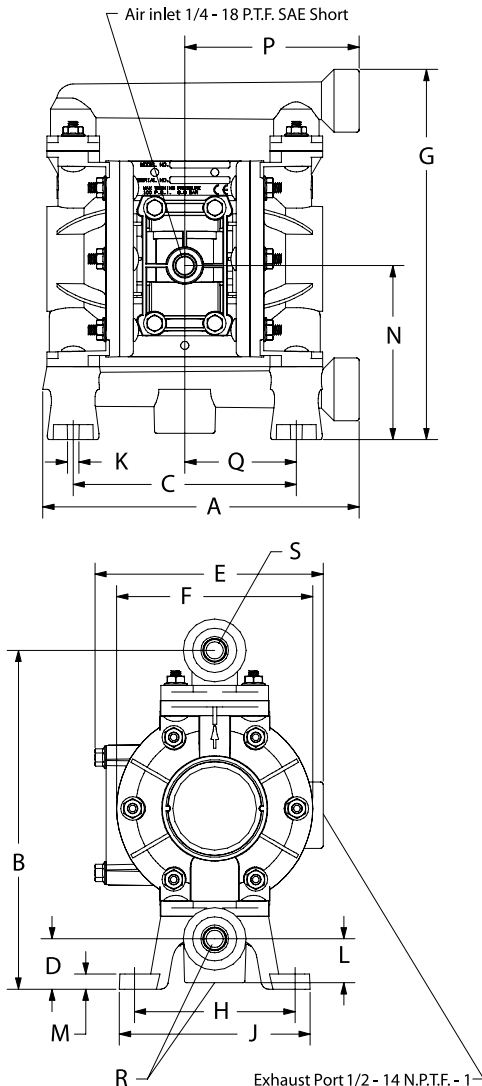
PE03P-APS-PAA-BOS
with 637442-1 Kit

- Dual Inlet/Outlet Kits:
 637442-1 (N.P.T. Poly)
 637442-4 (BSP Poly)
 637442-3 (N.P.T. PVDF)
 637442-6 (BSP PVDF)
 637442-2 (N.P.T. Acetal)
 637442-5 (BSP Acetal)

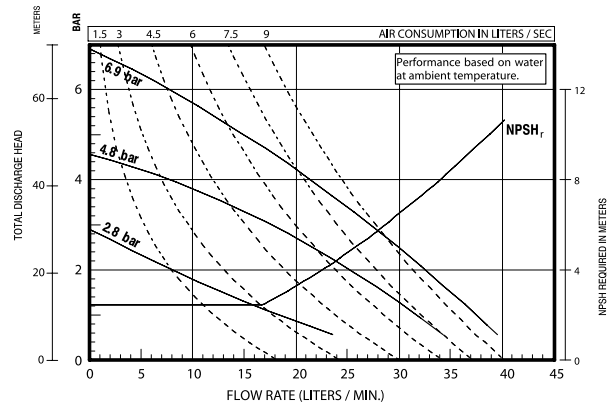
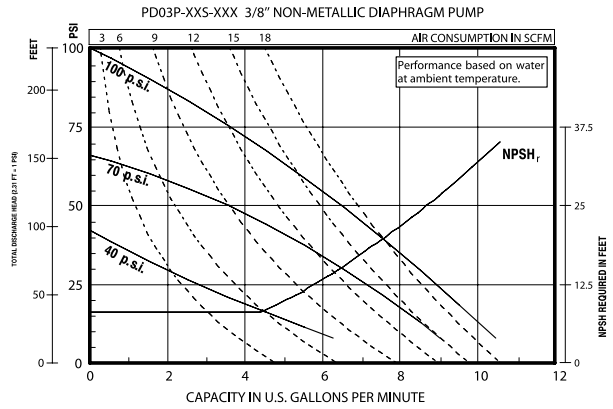
DIMENSIONS

- | | | |
|-----------------------|----------------------|-----------------------|
| A 7-29/32" (200.2 mm) | F 4-7/8" (123.9 mm) | L 1-3/32" (27.8 mm) |
| B 8-7/16" (214.3 mm) | G 9-7/32" (234.2 mm) | M 3/8" (9.5 mm) |
| C 5-9/16" (141.3 mm) | H 4" (101.6 mm) | N 4-11/32" (110.1 mm) |
| D 1-1/4" (31.8 mm) | J 4-3/4" (120.7 mm) | P 4-11/32" (110.3 mm) |
| E 5-23/32" (145.2 mm) | K 9/32" (7.1 mm) | Q 2-25/32" (70.6 mm) |

- | | | |
|---------------|-----------------------|-----------------------|
| Model | "R" Material Inlet | "S" Material Outlet |
| PD03P-AXS-XXX | 3/8 - 18 N.P.T.F. - 1 | 3/8 - 18 N.P.T.F. - 1 |
| PD03P-BXS-XXX | Rp 3/8 (3/8 - 19 BSP) | Rp 3/8 (3/8 - 19 BSP) |



PERFORMANCE CURVES



Refer to www.AROzone.com for full size flow curves.
 For additional information contact
 technical support at 1.800.495.0276

Ordering Position 10 Specialty Code 1 (Blank if no Specialty Code)

- | | |
|---------------------|--|
| A - Solenoid 120VAC | G - Solenoid 12VDC ATEX/IECex* |
| B - Solenoid 12VDC | H - Solenoid 24VDC ATEX/IECex* |
| C - Solenoid 240VAC | J - 120VAC NEC/CEC* |
| D - Solenoid 24VDC | K - Solenoid 220VAC ATEX/IECex* |
| E - 12vDC NEC/CEC* | N - Solenoid with no coil |
| F - 24vDC NEC/CEC* | O - Standard Valve Block (No Solenoid) |
| | P - Ported Motor (No major valve provided) |

Ordering Position 11 Specialty Code 2 (Blank if no Specialty Code)

- | | |
|--|--|
| E - End of stroke feedback + Leak Detection | L - Leak Detection |
| F - End of stroke feedback | M - Leak Detection ATEX/IECex/NEC/CEC* |
| G - End of Stroke ATEX/IECex* | O - No Option |
| H - End of Stroke/Leak Detection ATEX/IECex* | R - End of Stroke Feedback NEC / CEC* |
| | T - End of Stroke Feedback + Leak Detection NEC / CEC* |

* Acceptable for use in hazardous locations. - NEC / CEC: Class I&II, Div 1&2, Group A-D
 - ATEX: Zone 1&2, 21&22

1/2" Non-Metallic Models

COMPACT SERIES PUMPS

Part of our Compact Series of pumps, our 1/2" compact pumps feature big performance in a small package. They offer flow rates up to 14.4 GPM (54.5 LPM) and a wide range of material and porting configurations.

UPGRADE
PUMP FOR REMOTE
ACTUATION CAPABILITY

| | | | |
|----------------------------------|---|---------------|------------|
| Ratio: | 1:1 | | |
| Maximum Flow: | 14.4 g.p.m. (54.5 l.p.m.) | | |
| Displacement per cycle: | 0.039 Gallons (0.15 Liters) | | |
| Air Inlet: (Female) | 1/4 - 18 P.T.F. SAE Short | | |
| Fluid Inlet/Outlet: | 1/2 - 14 N.P.T.F. - 1 Rp 1/2 (1/2 -14 BSP, parallel) | | |
| Max. operating pressure: | 100 psi (6.9 bar) | | |
| Suspended solids max. dia.: | 3/32" (2.4 mm) | | |
| Weight: lbs (kg) | PD05P-XDS-XXX-B | 6.3 (2.9) | |
| | PD05P-XES-XXX-B | 6.7 (3.0) | |
| | PD05P-XKS-XXX-B | 6.8 (3.1) | |
| | PD05P-XLS-XXX-B | 7.2 (3.3) | |
| | PD05P-XPS-XXX-B | 5.2 (2.4) | |
| | PD05P-XRS-XXX-B | 5.4 (2.5) | |
| Maximum dry suction lift: ft (m) | 15.0 (4.5) | | |
| Sound Level: | 70 PSI | 60 Cycles/Min | 75.0 db(A) |
| Muffler: | Integral, Included | | |



PD05P-BRS-PAA

Ordering

| Position | 1 | 2 | | 3 | 4 | 5 | | 6 | 7 | 8 | | 9 | 10 | 11 |
|----------|------|---|---|---|---|---|---|---|---|---|---|---|----|----|
| Example: | PX05 | P | - | X | X | S | - | X | X | X | - | B | X | X |

| Position 1 Model Series | Position 2 Center Section | Position 3 Connections | Position 4 Manifold Material | Position 5 Hardware | Position 6 Seat Material | Position 7 Ball Material | Position 8 Diaphragm Material | Position 9 |
|--|---------------------------------|---|--|------------------------|--|---|--|---|
| D - Standard E - Remote Actuation Capable | P - Poly- propylene | A - 1/2 - 14 N.P.T.F. - 1 B - Rp 1/2 (1/2 -14 BSP, parallel) | D - Ground. Acetal (single port)* E - Ground. Acetal (multiple port)* K - PVDF (single port) L - PVDF (multiple port) P - Polypropylene (single port) R - Polypropylene (multiple port) | S - Stainless Steel | D - Acetal K - PVDF P - Poly- propylene S - Stainless Steel | A - Santoprene® C - Hytrel® * G - Nitrile S - Stainless Steel T - PTFE U - Polyurethane V - Viton® | A - Santoprene® C - Hytrel® * G - Nitrile L - Long-Life PTFE T - PTFE/ Santoprene® U - Polyurethane V - Viton® | Revision Level Position 10 & 11 Specialty Code Fluid control options for pump with elec- tronic interface (PE05 model). See complete description on page 15 |

* Acceptable for use in hazardous locations. - NEC / CEC: Class I&II, Div 1&2, Group A-D
- ATEX: Zone 1&2, 21&22

Hytrel® and Viton® are registered trademarks of the DuPont company. Santoprene® is a registered trademark of Monsanto Company, licensed to Advanced Elastomer Systems, L.P.

Accessories

Air Line Connection Kit | 66073-1

(Piggyback Filter/Regulator with gauge, pipe nipple and 5-foot air hose)

Cycle Counter Kit | 66975

Wall Mount Bracket Kit | 76763

Optional Muffler | 93110 used with 637438 kit

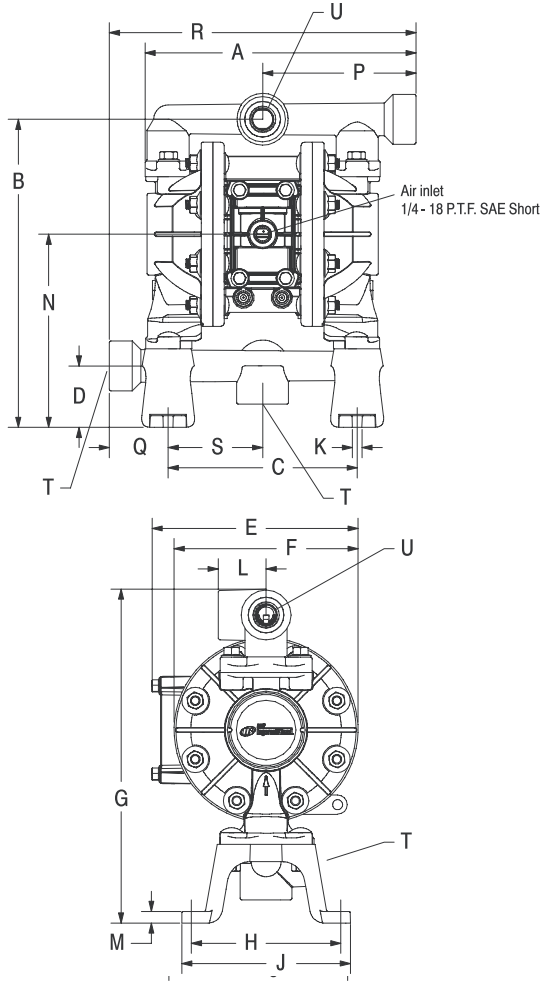
Service Repair Kits | 637428 (air section)

637427-XX (fluid section)



Air Line Connection Kit
66073-1

1/2" Non-Metallic Dimensions and Flow Charts



DIMENSIONS

| | | |
|-----------------------|----------------------|----------------------|
| A 8-27/32" (224.3 mm) | G 10-7/8" (275.7 mm) | N 6-5/16" (159.9 mm) |
| B 10-1/16" (255.0 mm) | H 4-7/8" (123.8 mm) | P 5" (127.0 mm) |
| C 6.164" (156.6 mm) | J 5-1/2" (139.7 mm) | Q 1-59/64" (48.8 mm) |
| D 2" (50.8 mm) | K 5/16" (8.0 mm) | R 10" (254.0 mm) |
| E 6-23/32" (170.6 mm) | L 1-9/16" (39.7 mm) | S 3-3/32" (78.3 mm) |
| F 6" (152.4 mm) | M 3/8" (9.5 mm) | |

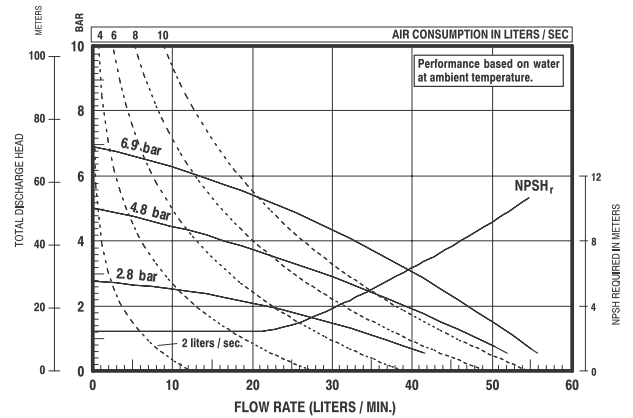
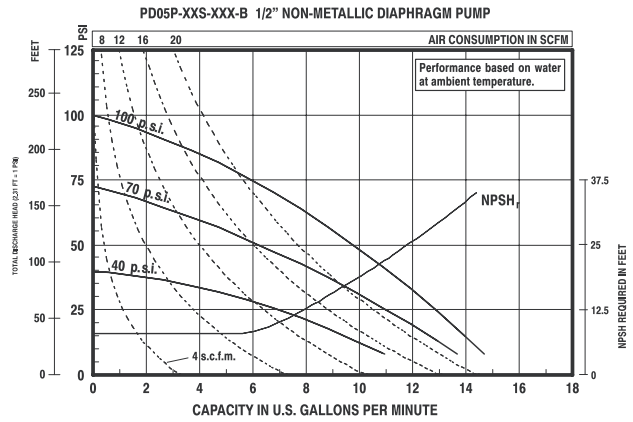
| | | |
|-----------------|---------------------------|----------------------------|
| Model | "T" Material Inlet | "U" Material Outlet |
| PD05P-AXS-XXX-B | 1/2 - 14 N.P.T.F. - 1 | 1/2 - 14 N.P.T.F. - 1 |
| PD05P-EXS-XXX-B | Rp 1/2 (1/2 - 14 BSP) | Rp 1/2 (1/2 - 14 BSP) |



PE05P-APS-PAA-B05
with 637440-1 Kit

- Dual Inlet/Outlet Kits:
- 637440-1 (N.P.T. Poly)
 - 637440-4 (BSP Poly)
 - 637440-2 (N.P.T. Acetal)
 - 637440-5 (BSP Acetal)
 - 637440-3 (N.P.T. PVDF)
 - 637440-6 (BSP PVDF)

PERFORMANCE CURVES



Refer to www.AROzone.com for full size flow curves.
For additional information contact
technical support at 1.800.495.0276

Ordering Position 10

Specialty Code 1 (Blank if no Specialty Code)

- | | |
|---------------------|--|
| A - Solenoid 120VAC | G - Solenoid 12VDC ATEX/IECex* |
| B - Solenoid 12VDC | H - Solenoid 24VDC ATEX/IECex* |
| C - Solenoid 240VAC | J - 120VAC NEC/CEC* |
| D - Solenoid 24VDC | K - Solenoid 220VAC ATEX/IECex* |
| E - 12VDC NEC/CEC* | N - Solenoid with no coil |
| F - 24VDC NEC/CEC* | O - Standard Valve Block (No Solenoid) |
| | P - Ported Motor (No major valve provided) |

Ordering Position 11

Specialty Code 2 (Blank if no Specialty Code)

- | | |
|--|--|
| E - End of stroke feedback + Leak Detection | L - Leak Detection |
| F - End of stroke feedback | M - Leak Detection ATEX/IECex/NEC/CEC* |
| G - End of Stroke ATEX/IECex* | O - No Option |
| H - End of Stroke/Leak Detection ATEX/IECex* | R - End of Stroke Feedback NEC / CEC* |
| | T - End of Stroke Feedback + Leak Detection NEC / CEC* |

* Acceptable for use in hazardous locations. - NEC / CEC: Class I&II, Div 1&2, Group A-D
- ATEX: Zone 1&2, 21&22

1/2" Classic Style Non-Metallic Models

COMPACT SERIES PUMPS

Part of our Compact Series of pumps, our 1/2" classic pumps feature big performance in a small package. With flow rates up to 13 GPM (49.2 LPM) and a wide range of material and porting configurations.

| | | | |
|----------------------------------|--|---------------|------------|
| Ratio: | 1:1 | | |
| Maximum Flow: | (ball) 13 g.p.m. (49.2 l.p.m.) (duckbill) 10 g.p.m. (37.9 l.p.m.) | | |
| Displacement per cycle: | (ball) 0.04 g.p.m. (0.15 l.p.m.) (duckbill) 0.032 g.p.m. (0.12 l.p.m.) | | |
| Air Inlet: (Female) | 1/4 - 18 N.P.T.F. - 1 | | |
| Fluid Inlet/Outlet: | 1/2 - 14 N.P.T.F. - 1 | | |
| Max. operating pressure: | 100 psi (6.9 bar) | | |
| Suspended solids max. dia.: | (ball) 3/32" (2.4-mm) (duckbill) fibers | | |
| Weight: lbs (kg) | Polypropylene | 7.2 (3.3) | |
| | Groundable Acetal | 8.8 (4.0) | |
| | Kynar PVDF | 9.5 (4.3) | |
| Maximum dry suction lift ft(m) : | 15 (4.6) | | |
| Sound Level: | 70 PSI | 60 Cycles/Min | 71.1 db(A) |
| Muffler: | Integral, Included | | |



Ordering

| Position | 1 | 2 | | 3 | 4 | 5 | | 6 |
|----------|--------------|----------|---|----------|----------|----------|---|-----------|
| Example: | 66605 | X | - | X | X | X | - | 04 |

| Position 1 Model Series | Position 2 Fluid Caps and Manifold Material | Position 3 Seat Section | Position 4 Ball Material | Position 5 Diaphragm Material | Position 6 Cone Check Flow |
|----------------------------|---|--|---|---|-------------------------------|
| Base Model | 3 - Polypropylene 6 - Groundable Acetal 7 - Pure PVDF J - Polypropylene* H - Groundable Acetal* K - Pure PVDF* *Single piece manifold | 0 - Duckbill 2 - Stainless Steel 3 - Polypropylene 4 - PVDF 6 - Acetal | 1 - Neoprene 2 - Nitrile 3 - Viton® 4 - PTFE 5 - E.P.R. 8 - Polyurethane A - Stainless Steel C - Neoprene** D - Nitrile** E - Santoprene® **Duckbill models | 1 - Neoprene 2 - Nitrile 3 - Viton® 4 - PTFE/Santoprene® 5 - E.P.R. 8 - Polyurethane 9 - Hytrel® B - Santoprene® L - Long-Life PTFE | 04 - Top Discharge |

Hytrel® and Viton® are registered trademarks of the DuPont company. Santoprene® is a registered trademark of Monsanto Company, licensed to Advanced Elastomer Systems, L.P.

Accessories

Air Line Connection Kit | 66073-1
(Piggyback Filter/Regulator with gauge, pipe nipple and 5-foot air hose)

Cycle Counter Kit| 66975

Optional Muffler | 93110 used with 637438 kit

Service Repair Kits | 637141 (air section)
637140-XX (fluid section)

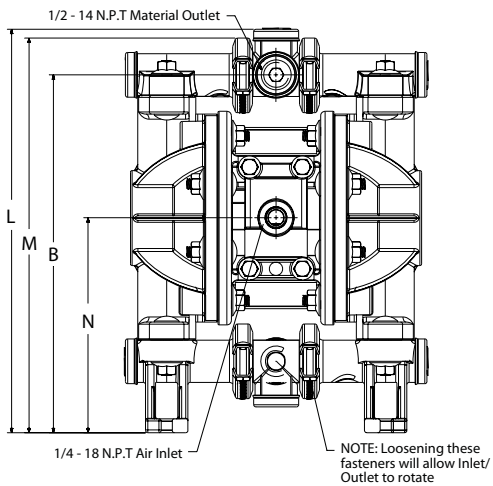
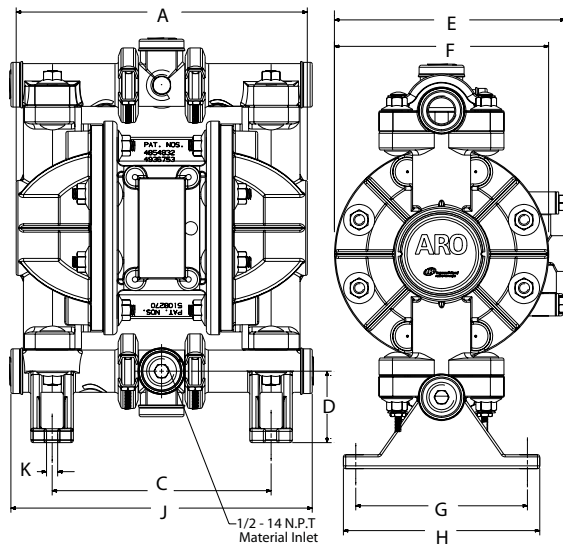


93110



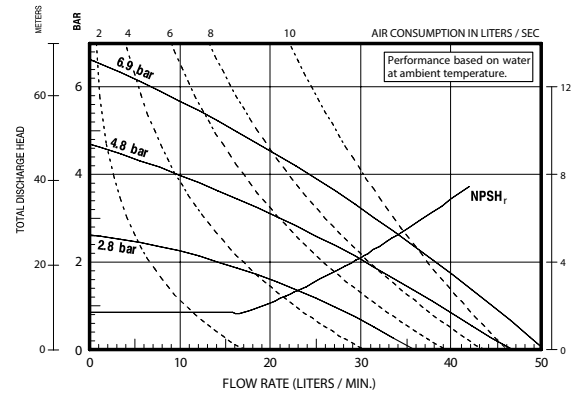
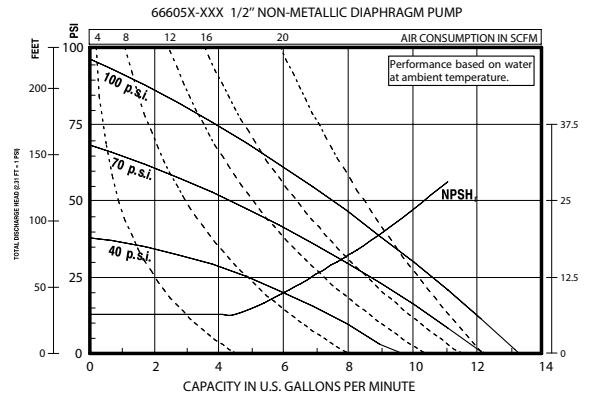
Air Line Connection Kit
66073-1

1/2" Non-Metallic Dimensions and Flow Charts



NOTE: Dimensions are shown in inches and (mm) and are supplied for reference only.

| | | |
|-----------------------|-----------------------|-----------------------|
| A - 8.155" (207.1 mm) | E - 6.467" (164 mm) | J - 8.44 5" (215 mm) |
| B - 10.051" (255 mm) | F - 6.000" (152 mm) | K - 0.31 2" (8 mm) |
| C - 6.135" (155.8 mm) | G - 4.812" (122.2 mm) | L - 11.331" (288 mm) |
| D - 2.005" (51 mm) | H - 5.500" (140 mm) | M - 11.08 4" (282 mm) |
| | | N - 6.040" (153 mm) |



Refer to www.AROzone.com for full size flow curves.
For additional information contact
technical support at 1.800.495.0276

3/4" Non-Metallic Models

COMPACT SERIES PUMPS

Part of our Compact Series of pumps, our 3/4" pumps feature big performance in a small package. They offer flow rates up to 14.8 GPM (56 LPM) and a wide range of material and porting configurations.

UPGRADE
PUMP FOR REMOTE
ACTUATION CAPABILITY

| | |
|-----------------------------|---|
| Ratio: | 1:1 |
| Maximum Flow: | 14.8 g.p.m. (56 l.p.m.) |
| Displacement per cycle: | 0.032 Gallons (0.12 Liters) |
| Air Inlet: (Female) | 1/4 - 18 P.T.F. SAE Short |
| Fluid Inlet/Outlet: | 1/2 - 14 N.P.T.F. - 1 Rp 1/2 (1/2 -14 BSP, parallel) |
| Max. operating pressure: | 100 psi (6.9 bar) |
| Suspended solids max. dia.: | 3/32" (2.4 mm) |
| Weight: lbs (kg) | 5.61 (2.54) |
| Maximum dry suction lift: | ft (m) 15.0 (4.5) |
| Sound Level: | 70 PSI 60 Cycles/Min 75.0 db(A) |
| Muffler: | Integral, Included |



PD07P-APS-PAA

Ordering

| Position | 1 | 2 | | 3 | 4 | 5 | | 6 | 7 | 8 | | 9 | 10 | 11 |
|----------|------|---|---|---|---|---|---|---|---|---|---|---|----|----|
| Example: | PX07 | P | - | X | X | S | - | X | X | X | - | A | X | X |

| Position 1 Model Series | Position 2 Center Section | Position 3 Connections | Position 4 Manifold Material | Position 5 Hardware | Position 6 Seat Material | Position 7 Ball Material | Position 8 Diaphragm Material | Position 9 and 10 |
|---|---------------------------------|---|------------------------------------|------------------------|--------------------------------|--|--|--|
| PD07 - Standard Pump PE07 - Remote Actuation Capable | P - Poly-propylene | A - 14 - 3/4" N.P.T.F.-1 B - Rp 3/4 (3/41/2 -14 BSP, parallel) | P - Poly-propylene (Single Port) | S - SS | P - Poly-propylene | A - Santoprene® C - Hytrel® T - PTFE | A - Santoprene® C - Hytrel® L - Long-Life PTFE T - PTFE | Revision Level Position 10 & 11 Specialty Code Fluid control options for pump with electronic interface (PE05 model). See complete description on page 19 |

Hytrel® and Viton® are registered trademarks of the DuPont company. Santoprene® is a registered trademark of Monsanto Company, licensed to Advanced Elastomer Systems, L.P.

Accessories

Air Line Connection Kit | 66073-1
(Piggyback Filter/Regulator with gauge, pipe nipple and 5-foot air hose)

Cycle Counter Kit | 66975

Muffler Kit | 637438 (ported exhaust) 3/8" NPT

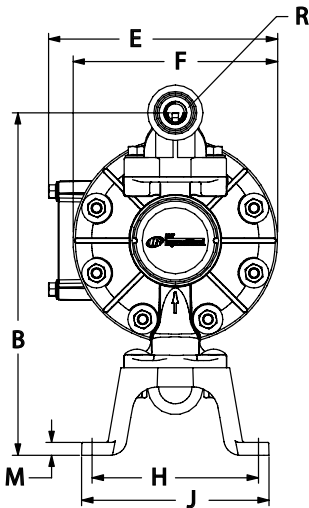
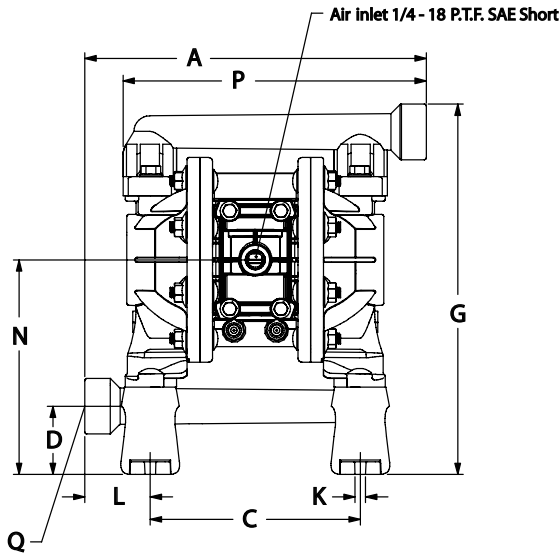
Service Repair Kits | 637428 (air section)
637427-XX (fluid section)

Wall Mount | 76763



Air Line Connection Kit
66073-1

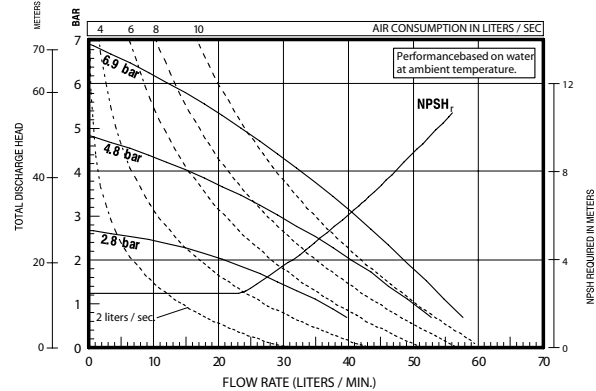
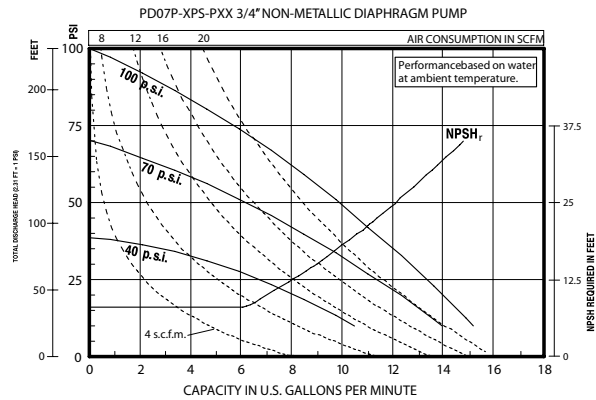
3/4" Non-Metallic Dimensions and Flow Charts



DIMENSIONS

| | | |
|------------------------|-------------------------|-----------------------|
| A - 10" (254.2 mm) | F - 6-1/32" (153.1mm) | L - 1-15/16" (48.9mm) |
| B - 10-3/32" (256.1mm) | G - 10-29/32" (276.8mm) | M - 3/8" (9.6mm) |
| C - 6-3/16" (157.1mm) | H - 4-29/32" (124.2 mm) | N - 6-5/16" (160.5mm) |
| D - 2" (51.0mm) | J - 5-17/32" (140.2mm) | P - 8-7/8" (225.3mm) |
| E - 6-3/4" (171.0mm) | K - 5/16" (8.0mm) | |

| | | |
|---------------|---------------------|---------------------|
| Model | "Q" Material Inlet | "R" Material Outlet |
| PD07P-APS-PXX | 3/4- 14N.P.T.F. - 1 | 3/4- 14N.P.T.F. - 1 |
| PD07P-BPS-PXX | Rp 3/4(3/4- 14BSP) | Rp 3/4(3/4- 14BSP) |



Refer to www.AROzone.com for full size flow curves.
For additional information contact
technical support at 1.800.495.0276

Ordering Position 10 Specialty Code 1 (Blank if no Specialty Code)

- A - Solenoid 120VAC
- B - Solenoid 12VDC
- C - Solenoid 240VAC
- D - Solenoid 24VDC
- N - Solenoid with no coil
- O - Standard Valve Block (No Solenoid)
- P - Ported Motor (No major valve provided)

Ordering Position 11 Specialty Code 2 (Blank if no Specialty Code)

- E - End of stroke feedback + Leak Detection
- F - End of stroke feedback
- L - Leak Detection
- O - No Option

1" Non-Metallic Models

EXP SERIES PUMPS

ARO® EXP 1" non-metallic diaphragm pumps are a versatile solution for numerous applications. Our EXP 1" models achieve flow rates of up to 53 GPM (200.6 LPM) and offer a wide array of material and porting configurations. These pumps are often used for transfer, filling, recirculation and supply in chemical, industrial and water/wastewater treatment markets.

| | |
|--|--|
| Ratio: | 1:1 |
| Maximum GPM (LPM): | 53 (200) |
| Displacement per cycle Gallons (Liters): | 0.226 (0.86) |
| Air Inlet (Female): | 1/4 - 18 N.P.T. |
| Fluid Inlet/Outlet: | 1 - 11-1/2 N.P.T.F., Rp1(1-11 BSP) 1" A.N.S.I./DIN flange (side or center) |
| Max. operating pressure psi (bar): | 120 (8.3) |
| Suspended solids max. dia. in.(mm): | 1/8" (3.2) |
| Weight lbs (kg): | Polypropylene, Threaded Port 19.35 (8.78) Polypropylene, Center Ported 19.59 (8.89) Polypropylene, Side Ported 19.87 (9.01) PVDF, Threaded Port 25.83 (11.72) PVDF, Center Ported 26.72 (12.12) PVDF, Side Ported 27.15 (12.32) |
| Maximum dry suction lift ft(m) : | 19 (5.7) |
| Sound Level: | 70 PSI 60 Cycles/Min 79.7 db(A) |
| Muffler Included: | 93110 |



Ordering

| Position | 1 | 2 | | 3 | 4 | 5 | | 6 | 7 | 8 | | 9 | 10 | 11 |
|----------|------|---|---|---|---|---|---|---|---|---|---|---|----|----|
| Example: | PX10 | X | - | X | X | S | - | X | X | X | - | A | X | X |

| Position 1 Model Series | Position 2 Center Section | Position 3 Connections | Position 4 Wetted Parts | Position 5 Hardware | Position 6 Seat Material | Position 7 Ball Material | Position 8 Diaphragm Material | Position 9 |
|---|---|---|--|------------------------|--|---|--|--|
| PD10 - Standard Pump PE10 - Electronic Interface Accessible Pump | E - Conductive Polypropylene P - Polypropylene | A - NPTF Thread B - BSP Thread F - 1" A.N.S.I./DIN Flange (Side) Y - 1" A.N.S.I./DIN Flange (Center) | E - Conductive Polypropylene* K - PVDF N - Conductive PVDF* P - Polypropylene | S - SS | H - 440 SS (Hard) K - PVDF P - Polypropylene S - 316 SS | A - Santoprene® C - Hytrel® G - Nitrile T - PTFE V - Viton® | A - Santoprene® C - Hytrel® G - Buna-N L - Long-Life PTFE M - Med. Grade Santoprene® T - PTFE/Santoprene® V - Viton® | Revision Level Position 10 & 11 Specialty Code Fluid control options for pump with electronic interface (PE20 model). See complete description on page 21 |

* Acceptable for use in hazardous locations. - NEC / CEC: Class I&II, Div 1&2, Group A-D
- ATEX: Zone 1&2, 21&22

Hytrel® and Viton® are registered trademarks of the DuPont company. Santoprene® is a registered trademark of Monsanto Company, licensed to Advanced Elastomer Systems, L.P.

Accessories

Air Line Connection Kit | 66073-2
(Piggyback Filter/Regulator with gauge, pipe nipple and 5-foot air hose)

Diaphragm Failure Detection | 67237

ARO® Diaphragm Failure Detection is a simple, cost-effective way to get your pumps wired for preventive maintenance. (PE10X pump model is required)

Cycle Counter Kit | 66350

Cycle Sensor Kit | 67350

Service Repair Kits | 637397 (air motor for PX10P), 637396-XXX (fluid section with seats), 637395-X (major air valve assembly)

Flange Connection Kits | 67341-E10N (side flange), 67341-C10N (center flange)

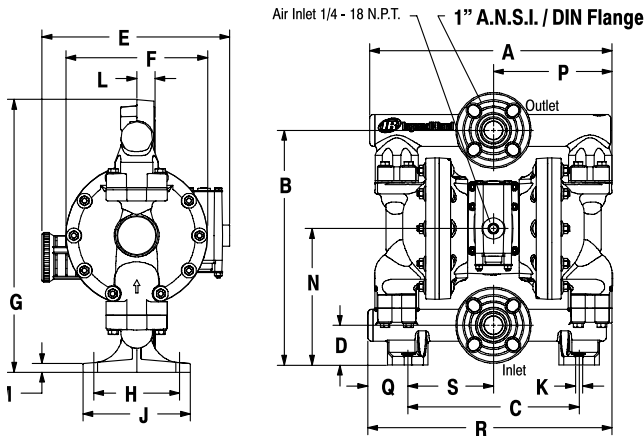
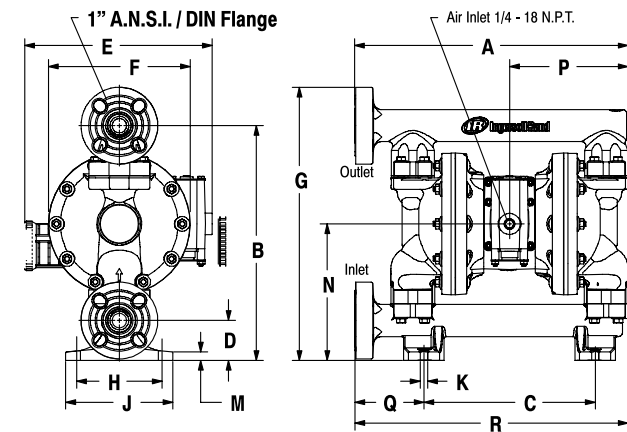
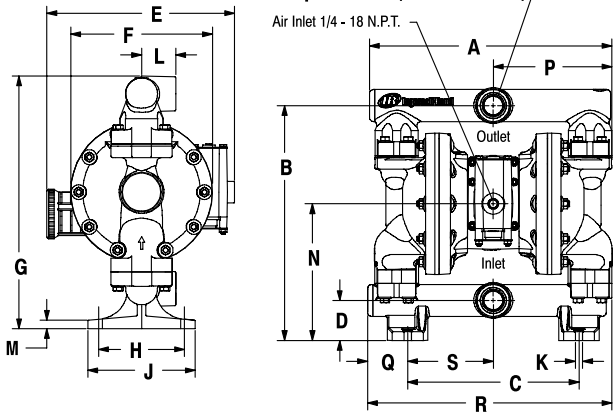
Use with non-metallic EXP pumps with the flange manifold option



Flange Connection Kit

1" Non-Metallic Dimensions and Flow Charts

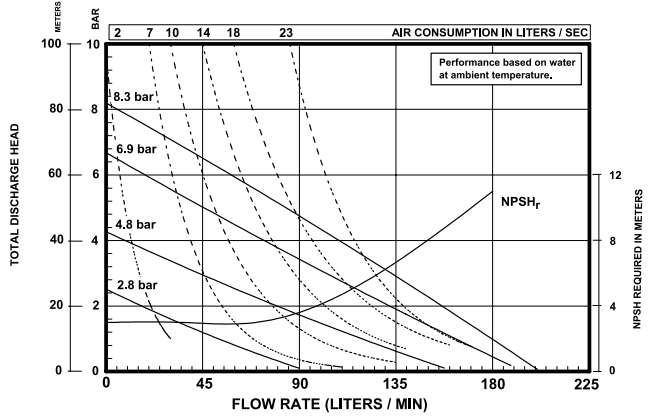
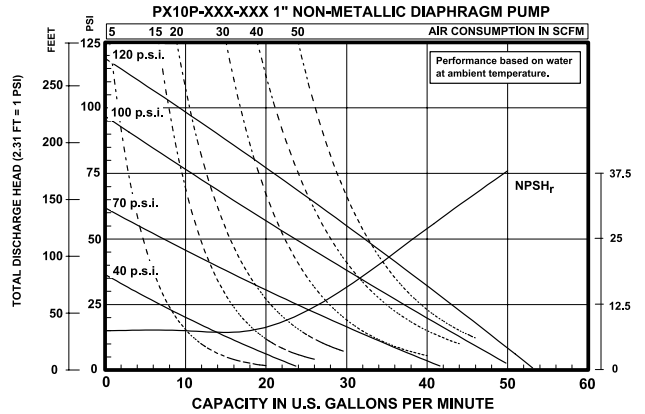
1 - 11-1/2 N.P.T.F. - 1 (PX10P-AXS-XXX)
Rp 1 - 11 BS (PX10P-BXS-XXX)



DIMENSIONS

| | | |
|--------------------------|------------------------|-------------------------|
| A - see below | G - see below | N - 8-1/32" (203.4 mm) |
| B - 13-25/32" (349.8 mm) | H - 5-1/32" (127.6 mm) | P - 6-31/32" (176.6 mm) |
| C - 10-1/16" (255.3 mm) | J - 6-9/32" (159.6 mm) | Q - see below |
| D - 2-11/32" (59.4 mm) | K - 7/16" (11.1 mm) | R - see below |
| E - 11-1/32" (279.5 mm) | L - see below | S - 5-1/32" (127.6 mm) |
| F - 8-5/16" (211.1 mm) | M - 1/2" (12.7 mm) | |

| | | |
|---------------------------------|-------------------------------|----------------------------------|
| PX10P-AXS-, -BXS- (Threaded) | PX10P-EXS-XXX (End Flange) | PX10P-YXS-XXX (Center Flange) |
| A - 14-7/32" (361.2 mm) | 16-1/32" (407.3 mm) | 14-7/32" (361.2 mm) |
| G - 14-27/32" (376.5 mm) | 16-1/32" (407.3 mm) | 16" (406.3 mm) |
| L - 2" (50.8 mm) | ----- | 1-1/32" (25.6 mm) |
| Q - 2-3/8" (59.7 mm) | 4-1/16" (103.0 mm) | 2-3/8" (59.7 mm) |
| R - 14-11/32" (364.0 mm) | 16-1/32" (407.3 mm) | 14-11/32" (364.0 mm) |



Refer to www.AROzone.com for full size flow curves.
For additional information contact
technical support at 1.800.495.0276

Ordering Position 10 Specialty Code 1 (Blank if no Specialty Code)

| | |
|---------------------|--|
| A - Solenoid 120VAC | G - Solenoid 12VDC ATEX/IECex* |
| B - Solenoid 12VDC | H - Solenoid 24VDC ATEX/IECex* |
| C - Solenoid 240VAC | J - 120VAC NEC/CEC* |
| D - Solenoid 24VDC | K - Solenoid 220VAC ATEX/IECex* |
| E - 12vDC NEC/CEC* | N - Solenoid with no coil |
| F - 24vDC NEC/CEC* | O - Standard Valve Block (No Solenoid) |
| | P - Ported Motor (No major valve provided) |

Ordering Position 11 Specialty Code 2 (Blank if no Specialty Code)

| | |
|--|--|
| E - End of stroke feedback + Leak Detection | L - Leak Detection |
| F - End of stroke feedback | M - Leak Detection ATEX/IECex/NEC/CEC* |
| G - End of Stroke ATEX/IECex* | O - No Option |
| H - End of Stroke/Leak Detection ATEX/IECex* | R - End of Stroke Feedback NEC / CEC* |
| | T - End of Stroke Feedback + Leak Detection NEC / CEC* |

* Acceptable for use in hazardous locations. - NEC / CEC: Class I&II, Div 1&2, Group A-D
- ATEX: Zone 1&2, 21&22

1-1/2" Non-Metallic Models

EXP SERIES PUMPS

ARO® 1-1/2" non-metallic diaphragm pumps are frequently used in transfer, filling, recirculation and supply in chemical, industrial and water/wastewater treatment markets. Our 1-1/2" models achieve flow rates of up to 123.1 GPM (465.9 LPM) and also offer a diverse selection of material and porting configurations.

UPGRADE
PUMP FOR REMOTE
ACTUATION CAPABILITY

| | | | |
|--|---|-----------------|------------|
| Ratio: | 1:1 | | |
| Maximum GPM (LPM): | 123 (465) | | |
| Displacement per cycle Gallons (Liters): | 0.617 (2.34) | | |
| Air Inlet (Female): | 1/2 - 14 N.P.T. | | |
| Fluid Inlet/Outlet: | 1-1/2" A.N.S.I./DIN flange (side or center) | | |
| Max. operating pressure psi (bar): | 120 (8.3) | | |
| Suspended solids max. dia. in. (mm): | 1/4" (6.4) | | |
| Weight lbs (kg): | Polypropylene, Side Ported | 42.6 (19.3) | |
| | PVDF, Side Ported | 63.9 (29) | |
| | Polypropylene, Center Ported | 42.3 (19.2) | |
| | PVDF, Center Ported | 55.9 (25.3) | |
| Maximum dry suction lift ft (m) : | 14 (4.2) | | |
| Sound Level: | 70 PSI | 60 Cycles / Min | 81.0 db(A) |
| Muffler Included: | 93139 | | |



Ordering

| Position | 1 | 2 | 3 | 4 | 5 | 6 | 7 | 8 | 9 | 10 | 11 | | | |
|-----------------|-------------|----------|---|----------|----------|----------|---|----------|----------|----------|----|----------|----------|----------|
| Example: | PX15 | X | - | X | X | S | - | X | X | X | - | A | X | X |

| Position 1 Model Series | Position 2 Center Section | Position 3 Connections | Position 4 Wetted Parts | Position 5 Hardware | Position 6 Seat Material | Position 7 Ball Material | Position 8 Diaphragm Material | Position 9 |
|---|---|--|--|------------------------|--|---|---|--|
| PD15 - Standard Pump PE15 - Electronic Interface Accessible Pump | E - Conductive Polypropylene P - Polypropylene | F - 1-1/2" A.N.S.I./DIN Flange (Side) Y - 1-1/2" A.N.S.I./DIN Flange (Center) | E - Conductive Polypropylene* K - PVDF P - Polypropylene | S - SS | H - 440 SS (Hard) K - PVDF P - Polypropylene S - 316 SS | A - Santoprene® C - Hytrel® G - Nitrile S - 316 SS T - PTFE V - Viton® | A - Santoprene® C - Hytrel® G - Buna-N L - Long-Life PTFE M - Medical Grade Santoprene® T - PTFE/Santoprene® V - Viton® | Revision Level Position 10 & 11 Specialty Code Fluid control options for pump with electronic interface (PE20 model). See complete description on page 23 |

* Acceptable for use in hazardous locations. - NEC / CEC: Class I&II, Div 1&2, Group A-D
- ATEX: Zone 1&2, 21&22

Hytrel® and Viton® are registered trademarks of the DuPont company. Santoprene® is a registered trademark of Monsanto Company, licensed to Advanced Elastomer Systems, L.P.

Accessories

Air Line Connection Kit | 66084-1

(Piggyback Filter/Regulator with gauge, pipe nipple and 5-foot air hose)

Diaphragm Failure Detection | 67237

Cycle Counter Kit | Cycle Counter Kit| 66350

Service Repair Kits | 637389 (air motor for PX15P), 637391-XXX (fluid section with seats), 637390-X (major air valve assembly)

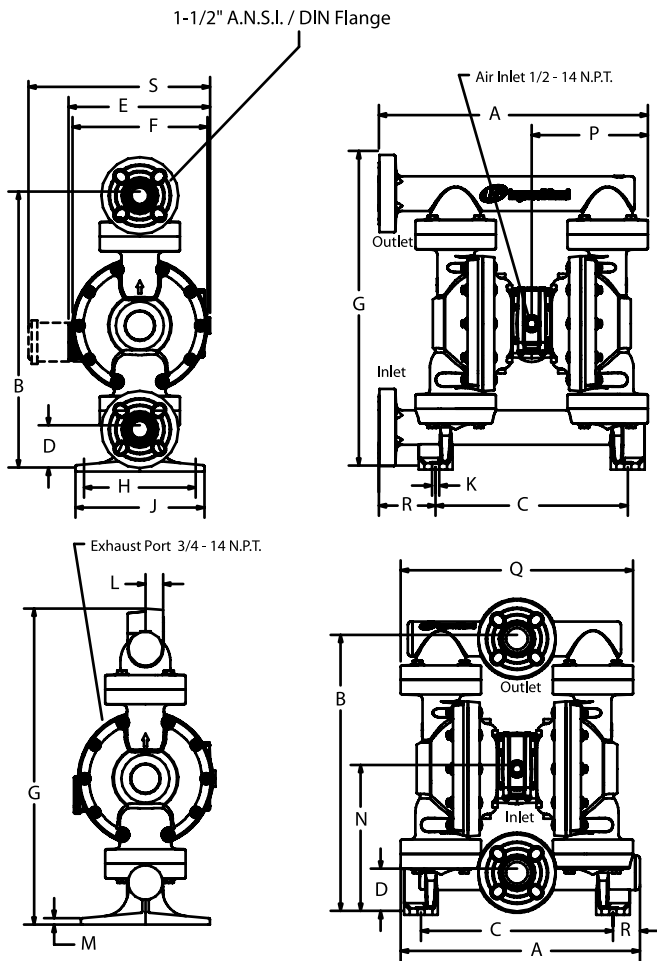
Flange Connection Kit | 67341-E15N (side flange), 67341-C15N (center flange)

Use with non-metallic EXP pumps with the flange manifold option



Flange Connection Kit

1-1/2" Non-Metallic Dimensions and Flow Charts

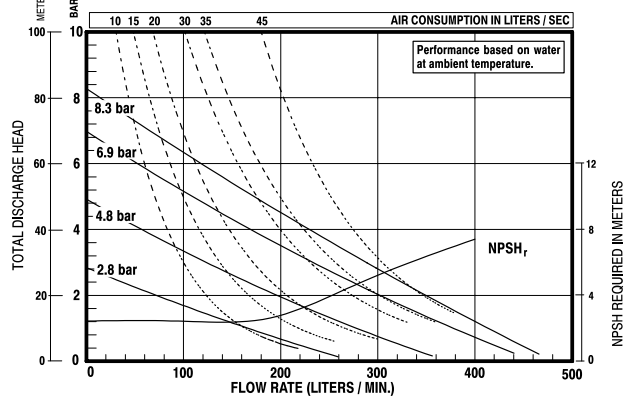
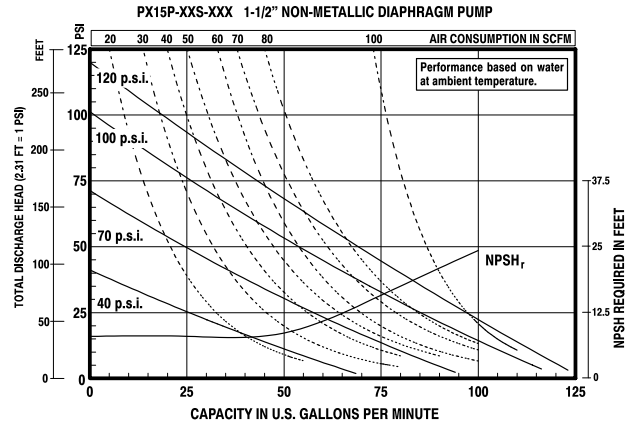


- A - see below
- B - 21-15/32" (545.3 mm)
- C - 14-15/16" (379.4 mm)
- D - 3-9/32" (83.3 mm)
- E - see below
- F - 10-1/2" (266.3 mm)
- G - see below
- H - 8-11/16" (220.7 mm)
- J - 10-1/32" (254.8 mm)
- K - 9/16" (14.3 mm)
- L - see below
- M - 17/32" (13.0 mm)
- N - 11-3/8" (288.4 mm)
- P - 9-1/32" (229.5 mm)
- Q - see below
- R - see below
- S - see below

- PX15P-~~EXS~~-XXX
(End Flange)
- A - 20-15/16" (531.6 mm)
 - G - 24-15/32" (621.5 mm)
 - L - -----
 - Q - -----
 - R - 4-7/16" (112.4 mm)

- PX15P-~~XXS~~-XXX
(Center Flange)
- A - 18-19/32" (472.3 mm)
 - G - 24-19/32" (624.5 mm)
 - L - 1-3/8" (34.9 mm)
 - Q - 18-3/32" (459.0 mm)
 - R - 2-3/32" (53.1 mm)

- PX15E-XXX-XXX
PX15P-XXX-XXX
- "E" - 11" (279.5 mm)
 - "S" - 14-1/8" (358.5 mm)



Refer to www.AROzone.com for full size flow curves.
For additional information contact technical support at 1.800.495.0276

Ordering Position 10

Specialty Code 1 (Blank if no Specialty Code)

- A - Solenoid 120VAC
- B - Solenoid 12VDC
- C - Solenoid 240VAC
- D - Solenoid 24VDC
- E - 12vDC NEC/CEC*
- F - 24vDC NEC/CEC*
- G - Solenoid 12VDC ATEX/IECex*
- H - Solenoid 24VDC ATEX/IECex*
- J - 120VAC NEC/CEC*
- K - Solenoid 220VAC ATEX/IECex*
- N - Solenoid with no coil
- O - Standard Valve Block (No Solenoid)
- P - Ported Motor (No major valve provided)

Ordering Position 11

Specialty Code 2 (Blank if no Specialty Code)

- E - End of stroke feedback + Leak Detection
- F - End of stroke feedback
- G - End of Stroke ATEX/IECex*
- H - End of Stroke/Leak Detection ATEX/IECex*
- L - Leak Detection
- M - Leak Detection ATEX/IECex/NEC/CEC*
- O - No Option
- R - End of Stroke Feedback NEC / CEC*
- T - End of Stroke Feedback + Leak Detection NEC / CEC*

* Acceptable for use in hazardous locations. - NEC / CEC: Class I&II, Div 1&2, Group A-D
- ATEX: Zone 1&2, 21&22

2" Non-Metallic Models

EXP SERIES PUMPS

ARO® EXP 2" non-metallic pumps achieve flow rates of up to 184 GPM (696.4 LPM) and offer a wide array of material and porting configurations. 2" non-metallic pumps are often used for transfer, filling, recirculation and batching in Chemical, Industrial and Water/Wastewater treatment markets.

UPGRADE
PUMP FOR REMOTE
ACTUATION CAPABILITY

| | |
|--|--|
| Ratio: | 1:1 |
| Maximum GPM (LPM): | 184 (696) |
| Displacement per cycle Gallons (Liters): | 1.4 (5.3) |
| Air Inlet (Female): | 3/4 - 14 N.P.T. |
| Fluid Inlet/Outlet: | 2" A.N.S.I./DIN flange (side) |
| Max. operating pressure psi (bar): | 120 (8.3) |
| Suspended solids max. dia. in. (mm): | 1/4" (6.4) |
| Weight lbs (kg): | Polypropylene 85.3 (38.7) PVDF 110.9 (50.3) |
| Maximum dry suction lift ft (m): | 14 (4.2) |
| Sound Level: | 70 PSI 60 Cycles/Min 85.0 db(A) |
| Muffler Included: | 93139 |



Ordering

| Position | 1 | 2 | 3 | 4 | 5 | 6 | 7 | 8 | 9 | 10 | 11 | | | |
|----------|------|---|---|---|---|---|---|---|---|----|----|---|---|---|
| Example: | PX20 | X | - | F | X | S | - | X | X | X | - | B | X | X |

| Position 1 Model Series | Position 2 Center Section | Position 3 Connections | Position 4 Wetted Parts | Position 5 Hardware | Position 6 Seat Material | Position 7 Ball Material | Position 8 Diaphragm Material | Position 9 |
|---|---|-----------------------------------|--|------------------------|-------------------------------|---|---|--|
| PD20 - Standard Pump PE20 - Electronic Interface Accessible Pump | E - Conductive Polypropylene P - Polypropylene | F - 2" A.N.S.I./DIN Flange (Side) | E - Conductive Polypropylene* K - PVDF N - Conductive PVDF* P - Polypropylene | S - SS | K - PVDF P - Polypropylene | A - Santoprene® C - Hytrel® G - Nitrile T - PTFE V - Viton® | A - Santoprene® C - Hytrel® G - Buna-N L - Long-Life PTFE M - Medical Grade Santoprene® T - PTFE/Santoprene® V - Viton® | Revision Level Position 10 & 11 Specialty Code Fluid control options for pump with electronic interface (PE20 model). See complete description on page 25 |

* Acceptable for use in hazardous locations. - NEC / CEC: Class I&II, Div 1&2, Group A-D
- ATEX: Zone 1&2, 21&22

Hytrel® and Viton® are registered trademarks of the DuPont company. Santoprene® is a registered trademark of Monsanto Company, licensed to Advanced Elastomer Systems, L.P.

Accessories

Air Line Connection Kit | 66109

(Piggyback Filter/Regulator with gauge, pipe nipple and 5-foot air hose)

Diaphragm Failure Detection | Kit No.67237

Cycle Counter Kit | 66350

Cycle Sensor Kit | 67350-1 (PE20X pump model is required)

Service Repair Kits | 637369 (air motor for PX20P), 637373-XXX (fluid section with seats), 637374-X (major air valve assembly)

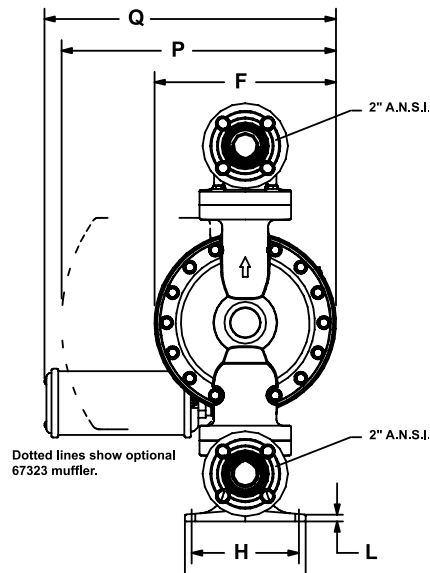
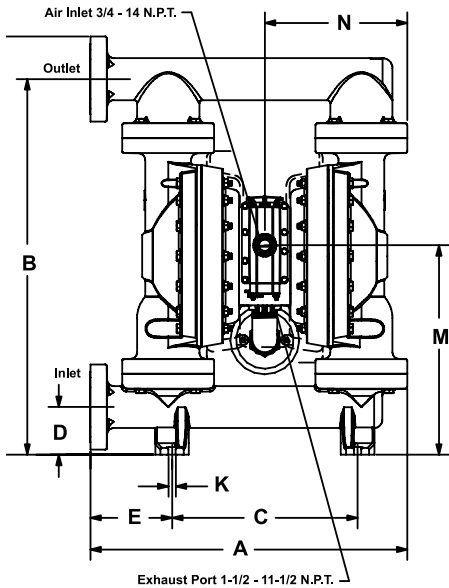
Continuous-Duty Muffler | 67323 Recommended for continuous-duty and high-flow applications. Muffler features large expansion chamber, permitting cold exhaust air to exit pump

Flange Connection Kit | 67341-E20N



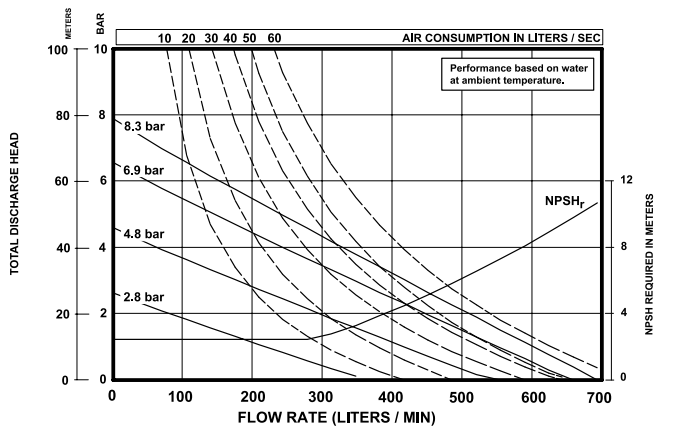
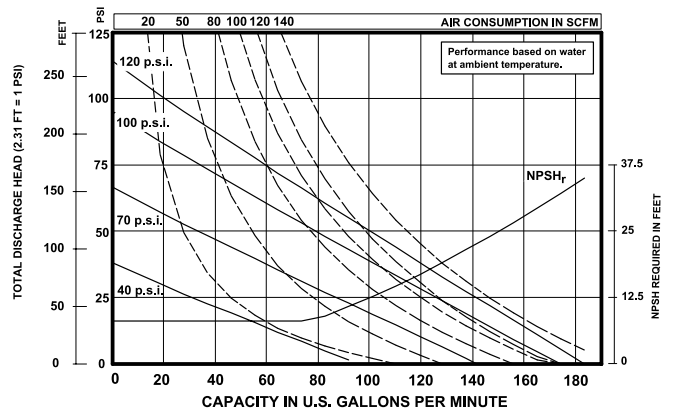
67323
Continuous Duty
Muffler

2" Non-Metallic Dimensions and Flow Charts



- | | |
|-------------------------|-------------------------|
| A - 24-3/16" (614.3mm) | F - 13-7/8" (352.0mm) |
| B - 28-21/32" (728.0mm) | G - 31-29/32" (810.5mm) |
| C - 14-5/32" (360.0mm) | H - 8-3/16" (207.8mm) |
| D - 3-5/8" (92.2mm) | J - 9-7/32" (234.2mm) |
| E - 6-1/4" (158.3mm) | K - 9/16" (14.3mm) |
| L - 1/2" (12.7mm) | |
| M - 16" (405.9mm) | |
| N - 10-7/8" (276.2mm) | |
| P - 20-31/32" (532.2mm) | |
| Q - 22-9/32" (565.5mm) | |

PX20P-FXS-XXX 2" NON-METALLIC DIAPHRAGM PUMP



Refer to www.AROzone.com for full size flow curves.
For additional information contact
technical support at 1.800.495.0276

Ordering Position 10

Specialty Code 1 (Blank if no Specialty Code)

- | | |
|---------------------|--|
| A - Solenoid 120VAC | G - Solenoid 12VDC ATEX/IECex* |
| B - Solenoid 12VDC | H - Solenoid 24VDC ATEX/IECex* |
| C - Solenoid 240VAC | J - 120VAC NEC/CEC* |
| D - Solenoid 24VDC | K - Solenoid 220VAC ATEX/IECex* |
| E - 12vDC NEC/CEC* | N - Solenoid with no coil |
| F - 24vDC NEC/CEC* | O - Standard Valve Block (No Solenoid) |
| | P - Ported Motor (No major valve provided) |

Ordering Position 11

Specialty Code 2 (Blank if no Specialty Code)

- | | |
|--|--|
| E - End of stroke feedback + Leak Detection | L - Leak Detection |
| F - End of stroke feedback | M - Leak Detection ATEX/IECex/NEC/CEC* |
| G - End of Stroke ATEX/IECex* | O - No Option |
| H - End of Stroke/Leak Detection ATEX/IECex* | R - End of Stroke Feedback NEC / CEC* |
| | T - End of Stroke Feedback + Leak Detection NEC / CEC* |

* Acceptable for use in hazardous locations. - NEC / CEC: Class I&II, Div 1&2, Group A-D
- ATEX: Zone 1&2, 21&22

3" Non-Metallic Models

EXP SERIES PUMPS

ARO® EXP 3" non-metallic pumps achieve flow rates of up to 285 GPM (1079 LPM) and offer a wide array of material and porting configurations. 3" non-metallic pumps are often used for transfer, filling, recirculation and batching in Chemical, Industrial and Water/Wastewater treatment markets.

| | |
|--|--|
| Ratio: | 1:1 |
| Maximum GPM (LPM): | 285 (1079) |
| Displacement per cycle Gallons (Liters): | 2.80 (10.6) |
| Air Inlet (Female): | 3/4 - 14 N.P.T. |
| Fluid Inlet/Outlet: | 3" ANSI/DIN flange |
| Max. operating pressure psi (bar): | 120 (8.3) |
| Suspended solids max. dia. in. (mm): | 3/8" (9.5) |
| Weight lbs (kg): | Polypropylene 170 (77.11) PVDF 242 (109.77) |
| Maximum dry suction lift ft (m): | 20.5 (6.3) |
| Sound Level: | 70 PSI 60 Cycles/Min 85.0 db(A) |
| Muffler Included: | 67389 |

UPGRADE
PUMP FOR REMOTE
ACTUATION CAPABILITY



Ordering

| Position | 1 | 2 | | 3 | 4 | 5 | | 6 | 7 | 8 | | 9 | 10 | 11 |
|----------|------|---|---|---|---|---|---|---|---|---|---|---|----|----|
| Example: | PX30 | P | - | X | X | S | - | X | X | X | - | A | X | X |

| Position 1 Model Series | Position 2 Center Section | Position 3 Connections | Position 4 Wetted Parts | Position 5 Hardware | Position 6 Seat Material | Position 7 Ball Material | Position 8 Diaphragm Material | Position 9 |
|--|------------------------------|---|-------------------------------|------------------------|-------------------------------|---|--|--|
| PD30 - Standard Pump PE30† - Electronic Interface Accessible Pump | P - Polypropylene | D - 3" ANSI 4-hole Flange F - 3" DIN 8-hole Flange | K - PVDF P - Polypropylene | S - SS | K - PVDF P - Polypropylene | A - Santoprene® C - Hytrel® G - Nitrile T - PTFE V - Viton® | A - Santoprene® C - Hytrel® G - Buna-N L - Long-Life PTFE T - PTFE/Santoprene® | Revision Level Position 10 & 11 Specialty Code Fluid control options for pump with electronic interface (PE30 model). See complete description on page 27 |

Hytrel® and Viton® are registered trademarks of the DuPont company. Santoprene® is a registered trademark of Monsanto Company, licensed to Advanced Elastomer Systems, L.P.

Accessories

Air Line Connection Kit | 66109

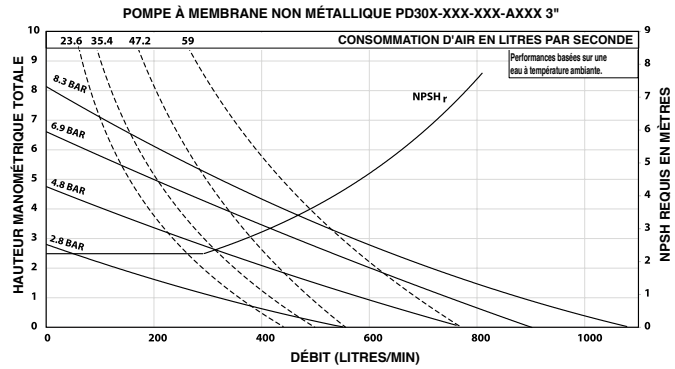
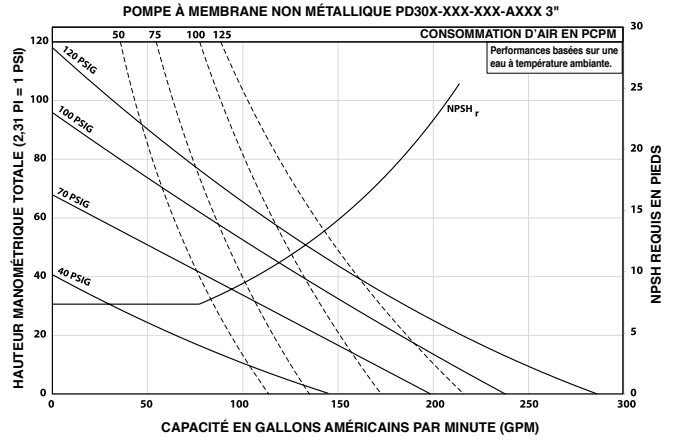
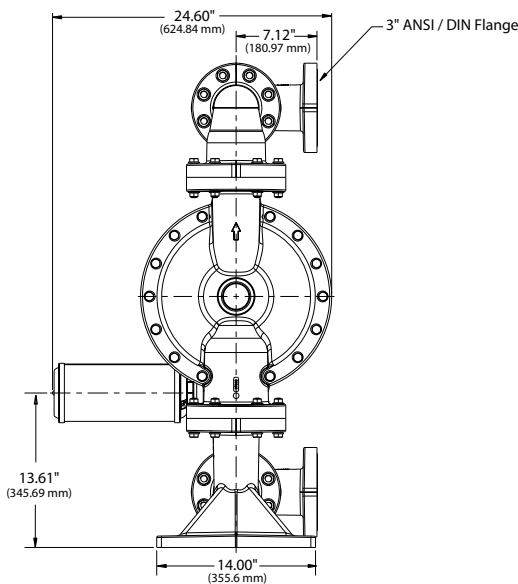
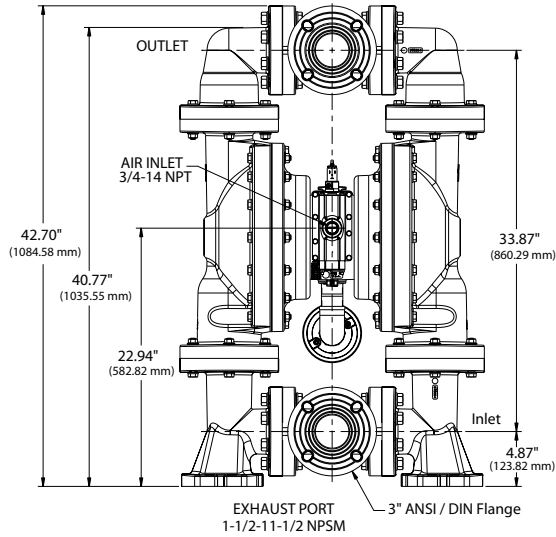
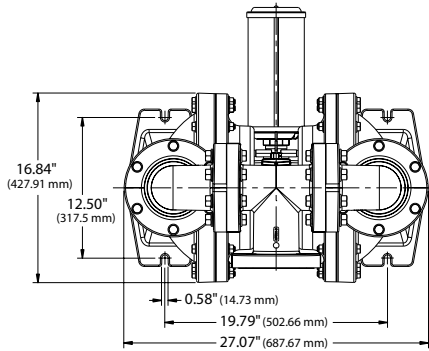
(Piggyback Filter/Regulator with gauge, pipe nipple and 5-foot air hose)

Diaphragm Failure Detection | Kit No.67237

Cycle Sensor Kit | 67350-1

Service Repair Kits | 637369 (air motor), 637447-XXX (fluid section with seats), 637374-X (major air valve assembly)

3" Non-Metallic Dimensions and Flow Charts



Refer to www.AROzone.com for full size flow curves.
For additional information contact technical support at 1.800.495.0276

Ordering Position 10 Specialty Code 1 (Blank if no Specialty Code)

- A - Solenoid 120VAC
- B - Solenoid 12VDC
- C - Solenoid 240VAC
- D - Solenoid 24VDC
- N - Solenoid with no coil
- O - Standard Valve Block (No Solenoid)
- P - Ported Motor (No major valve provided)

Ordering Position 11 Specialty Code 2 (Blank if no Specialty Code)

- E - End of stroke feedback + Leak Detection
- F - End of stroke feedback
- L - Leak detection
- O - No Option